

# CC5MPX

## High Resolution Digital Network Camera



The CC5MPX is a high-resolution digital camera that produces images of up to 5 megapixels. Designed to work in harsh environments, the CC5MPX operates at temperatures as low as -40°C. This camera also includes several power conserving modes, allowing it to be used in remote battery-powered installations.

The CC5MPX can take still images or videos based on a timer, triggering from an external PAKBUS® device (such as a datalogger), or motion detection. The images or videos can be stored on an SD card, saved in a PAKBUS datalogger's memory, sent to a PC via email, or transmitted to an FTP server.

### Connections

The CC5MPXCBL1 Power and I/O Cable connects the camera to:

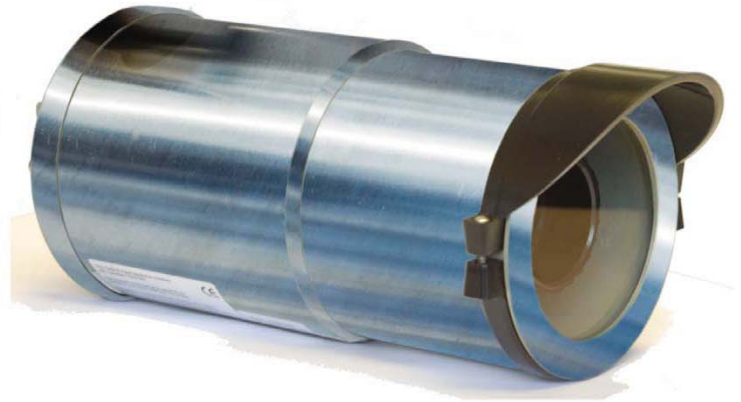
- Power supply
- COM port of a CR800, CR850, CR1000, or CR3000 datalogger
- MD485 Multidrop Modem (for connecting more than one camera to a datalogger or if long cable lengths are required)
- PC (for configuring camera via the Device Configuration utility; also requires the DB9M-TERM interface that is shipped with the camera)

The CC5MPXCBL2 RJ45 Environmental Cable connects the camera to a network router, cellular modem, or laptop. With this connection, the user can access a web interface that:

- Allows adjustment of camera targeting/focusing
- Supports camera configuration
- Displays camera information, system status, date and time



The connectors on the back of the CC5MPX have metal caps that are chained to the camera.



The CC5MPX camera features an integrated enclosure that is environmentally sealed for outdoor installations. The enclosure provides protection from moisture or high humidity.

### Mounting

The 18549 Camera Mounting Kit is used to mount the CC5MPX camera to a CM202, CM204, or CM206 crossarm. The crossarm then attaches to a tripod, tower, or user-supplied pole (1.0-in. to 2.1-in. outer diameter). The bracket's design facilitates the aiming of the camera.



The 18549 mounting bracket uses u-bolts to connect the bracket to a crossarm. Curved notches allow the camera to be aimed at the desired target.

## Ordering Information

### Digital Camera

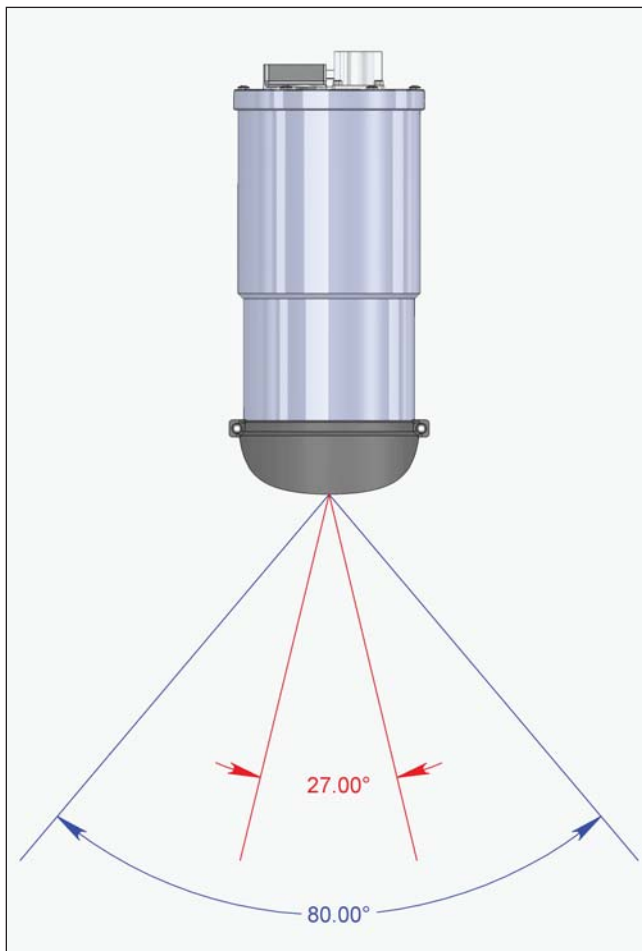
**CC5MPX** CSC High Resolution Digital Network Camera for harsh environments (-40° to +60°C)

### Memory Option (choose one)

- NC No SD Memory Card
- 4G 4 GB SD Memory Card
- 8G 8 GB SD Memory Card

### Accessories

- 18549** CC5MPX Mounting Kit
- CC5MPXCBL1-L** CC5MPX Power and I/O Cable Enter cable length, in feet, after the -L. Maximum length is 100 ft.
- CC5MPXCBL2-L** CC5MPX RJ45 Environmental Cable. Enter length, in feet, after the -L. Maximum length is 225 ft.



The CC5MPX has a 4 to 12 mm lens, which provides an approximate 27° horizontal field of view when fully zoomed in and an 80° horizontal field of view when fully zoomed out.

## Specifications

<b>Operating Power:</b>	9 to 30 Vdc
<b>Current Drain</b>	
<b>Maximum at 12 Vdc:</b>	250 mA (camera only)
<b>Quiescent:</b>	≤1 mA (off power mode)
<b>Operating Temperature:</b>	-40° to +60°C
<b>Clock Accuracy:</b>	±2 min./year (-40° to +60°C)
<b>Lens</b>	
<b>Size:</b>	4 to 12 mm
<b>Mount:</b>	C-type
<b>IRIS:</b>	DC compatible
<b>Image or Video</b>	
<b>Capture Triggers:</b>	Two independent self timers; external trigger; motion detection; web page control
<b>Programmable Still Image Resolutions (JPEG):</b>	2592 x 1944; 1280 x 960; 1280 x 720; 640 x 480; 640 x 352; 320 x 240; 320 x 176
<b>Video:</b>	Capable of up to 720P for 1280 x 720 (MPEG4), 640 x 480 (MJPEG), 320 x 240 (MPEG4)
<b>External Input Signal</b>	
<b>Logic Low Level:</b>	0.65 Vdc (-20 Vdc absolute minimum)
<b>Logic High Level:</b>	>2.0 Vdc (+20 Vdc absolute maximum)
<b>Minimum Pulse Width:</b>	10 ms
<b>Communication Interfaces:</b>	RS-232 port; RS-485 port; Ethernet 10/100
<b>Communications Protocols:</b>	PAkBus; FTP; email; Web page interface via web browser
<b>Communication Switched Power Output</b>	
<b>Maximum Output Current:</b>	750 mA
<b>Maximum Baud Rate:</b>	115.2 kbps (for RS-232 and RS-485 only)
<b>Memory Card Interface</b>	
<b>Type:</b>	Secure Digital (SD)
<b>File System:</b>	FAT32
<b>File Type:</b>	JPEG (image), AVI (video)
<b>Size:</b>	Verified up to 16 GB
<b>Image Capture Time (from wakeup to start of capture)</b>	
<b>Fully On:</b>	<1 s (5 MP images take longer)
<b>Partially On:</b>	10 s
<b>Deep Sleep:</b>	15 s
<b>Off State:</b>	90 s
<b>Dimensions</b>	
<b>Diameter:</b>	3.7 in. (9.3 cm)
<b>Length:</b>	8.7 in. (22 cm)
<b>Weight:</b>	2.34 lb (1.06 kg)

